

TATE
studio

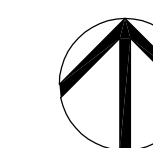
2811 N Henderson Ave.
Dallas, TX 75206
contact@thetatestudio.com
214-484-1759

CALABRESE BUDNER, LLP

LAW FIRM

5944 Luther Ln. # 875
Dallas, TX 75225

01 FURNITURE PLAN
1/4" = 1'-0"

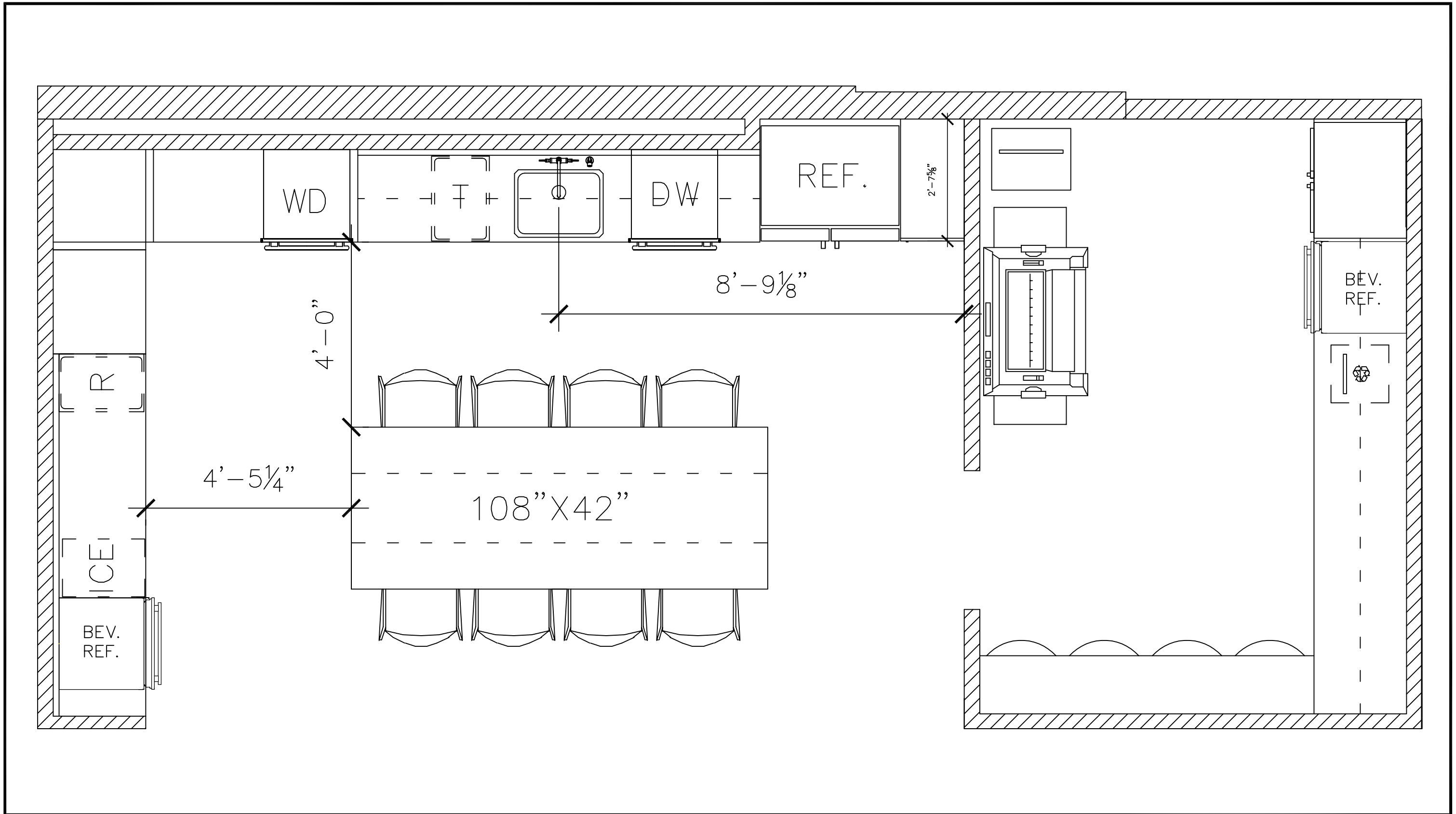


NOT FOR CONSTRUCTION

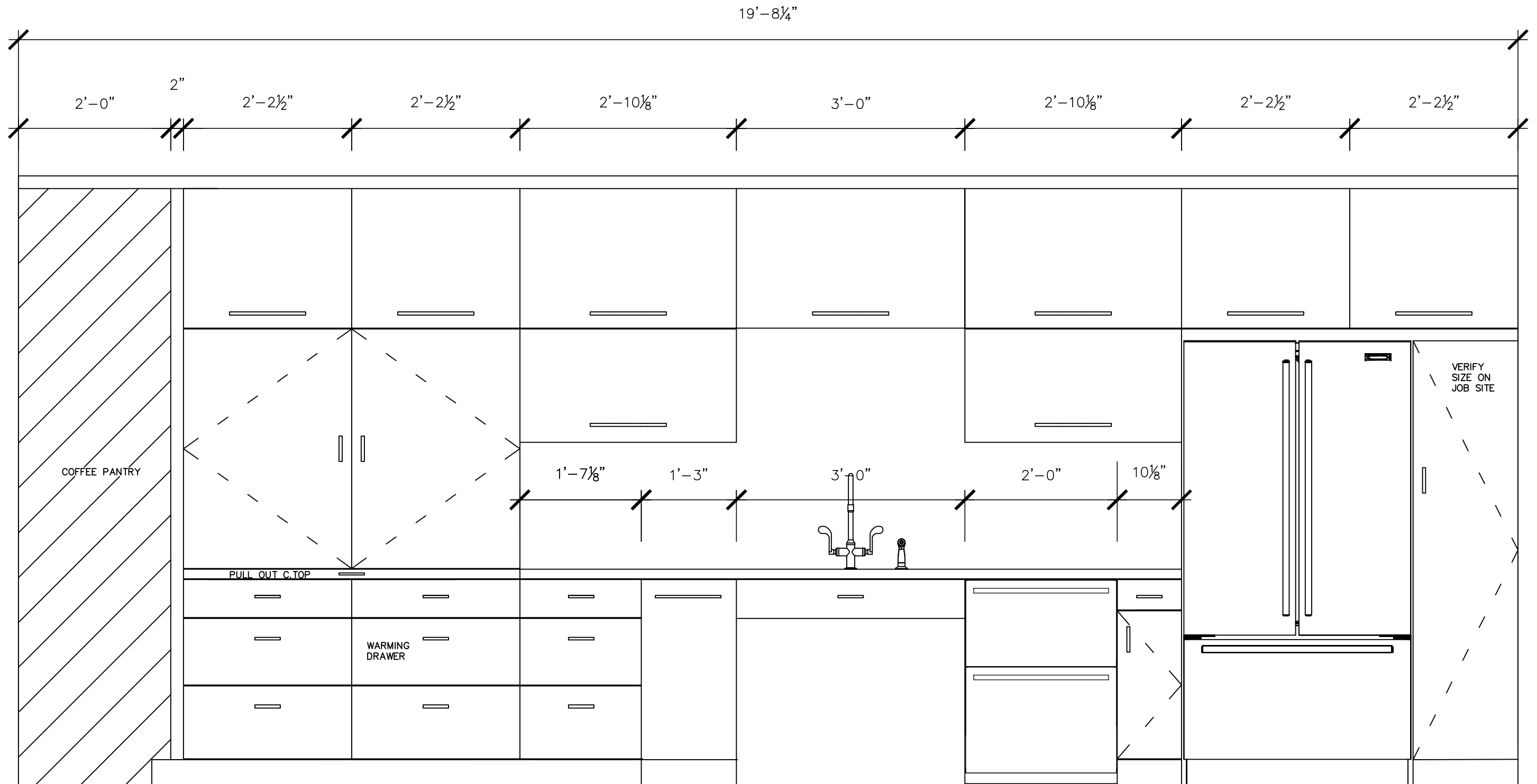
FURNITURE
PLAN

ID1.0

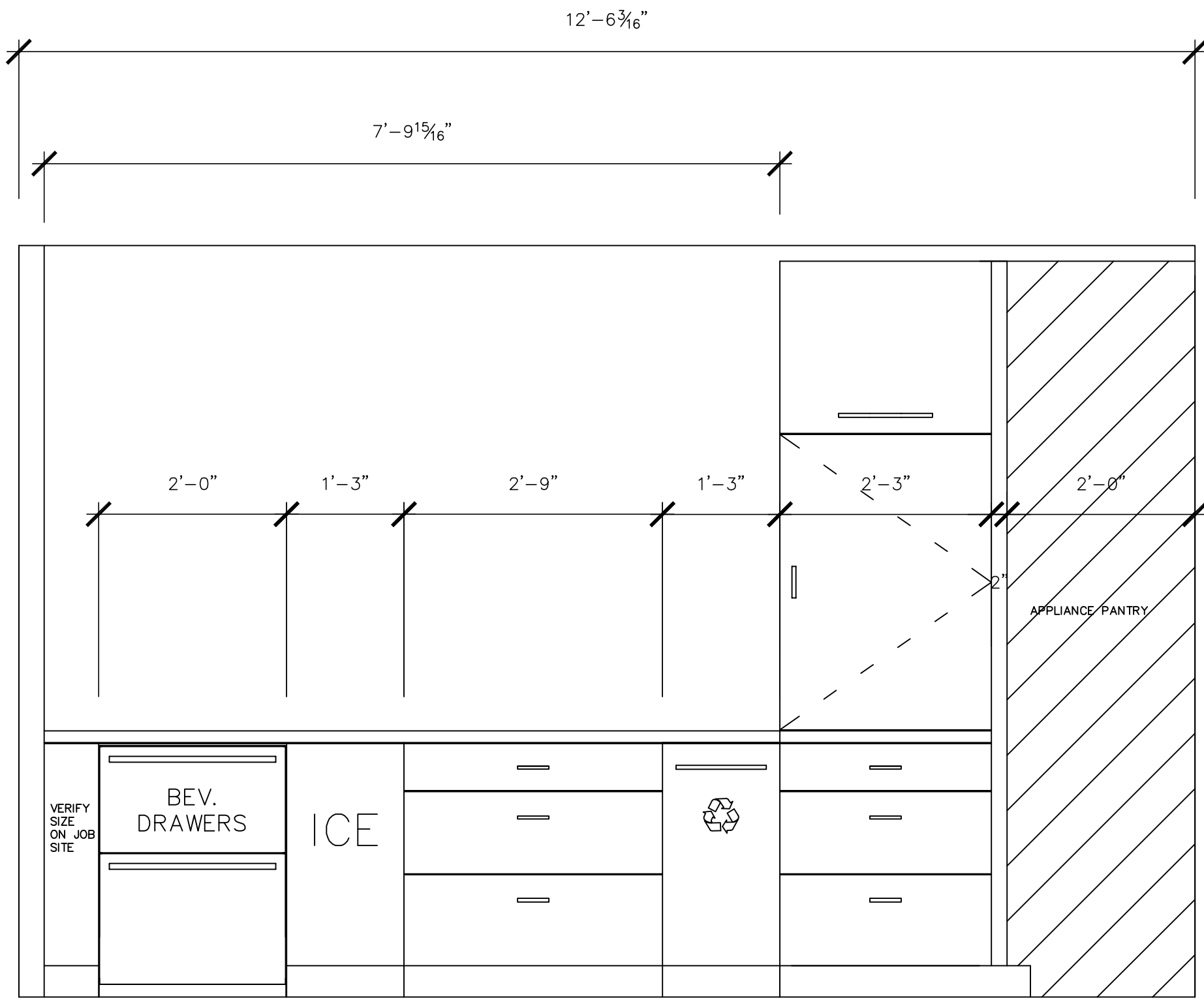
DATE: 04/18/2018



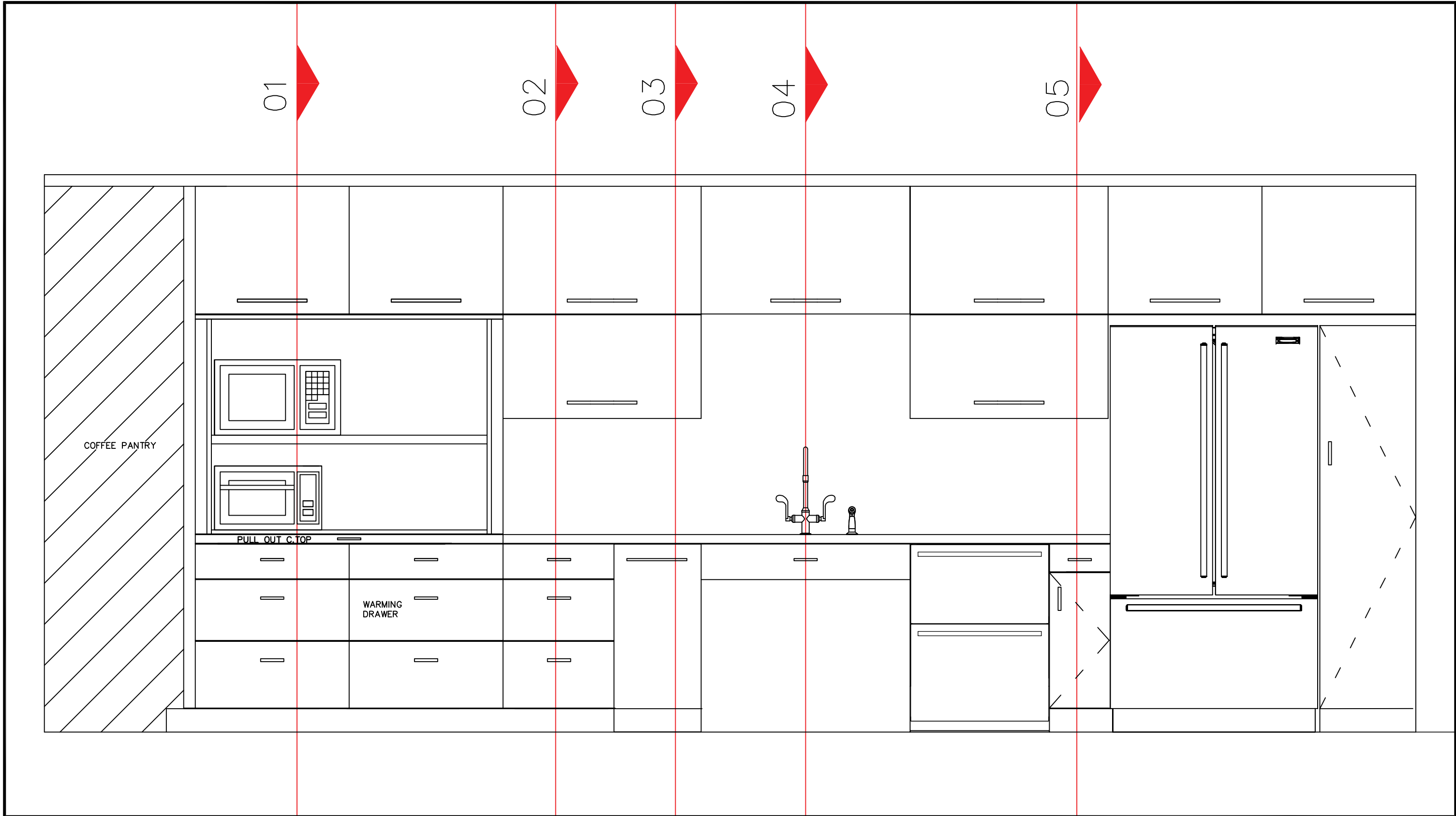
PROJECT:	CALABRESE BUDNER
DESCRIPTION:	BREAKROOM FLOOR PLAN
SCALE:	1/2" = 1'-0"
DATE:	MAY 04, 2018



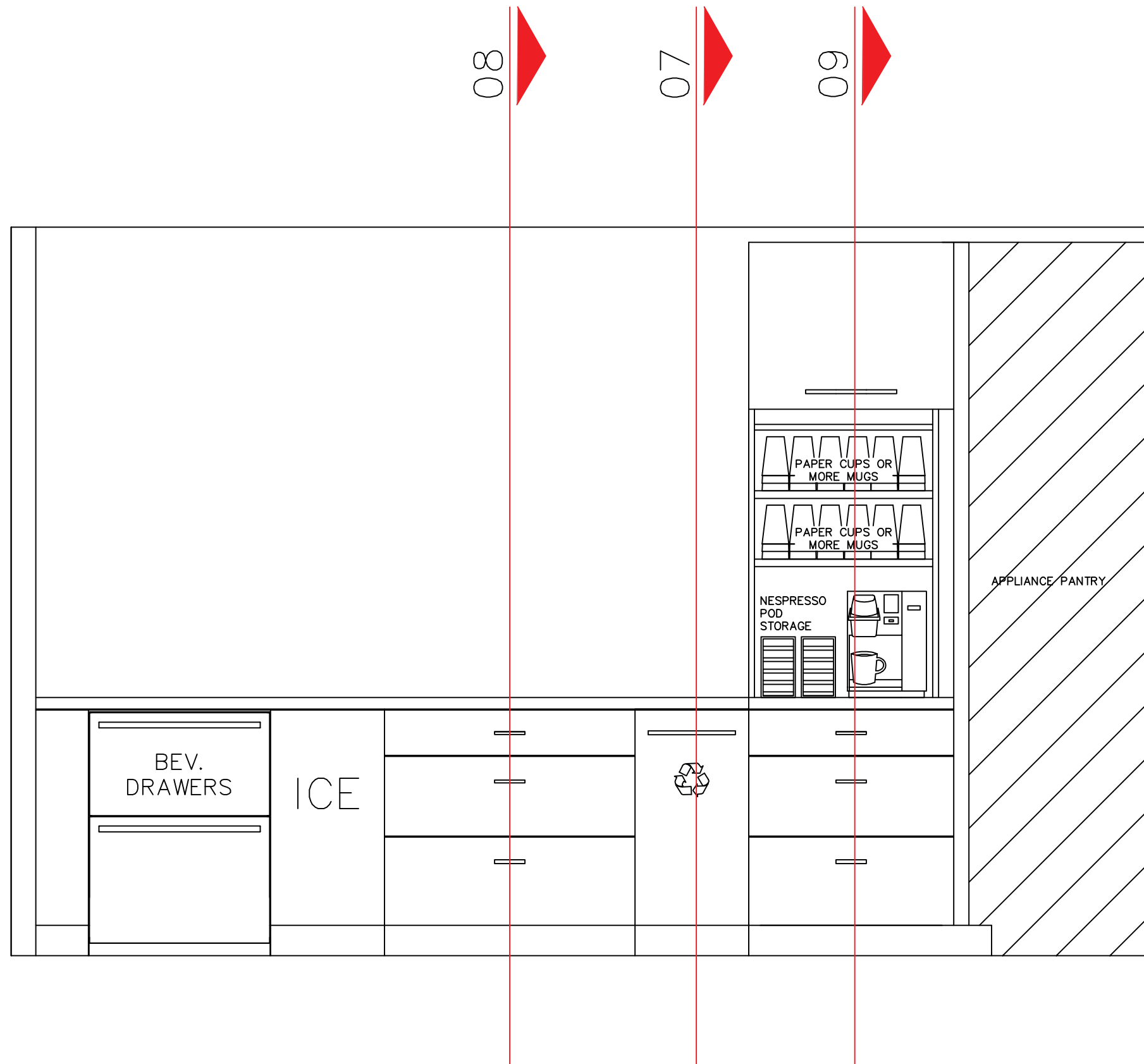
PROJECT:	CALABRESE BUDNER
DESCRIPTION:	BREAKROOM ELEVATION
SCALE:	3/4" = 1'-0"
DATE:	MAY 04, 2018



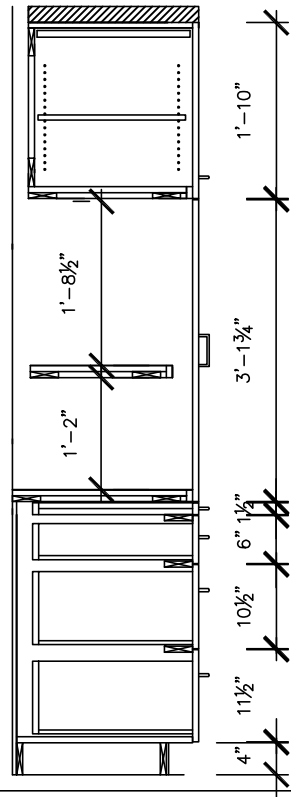
PROJECT:	CALABRESE BUDNER
DESCRIPTION:	CABINET DIMENSIONS
SCALE:	3/4" = 1'-0"
DATE:	MAY 04, 2018



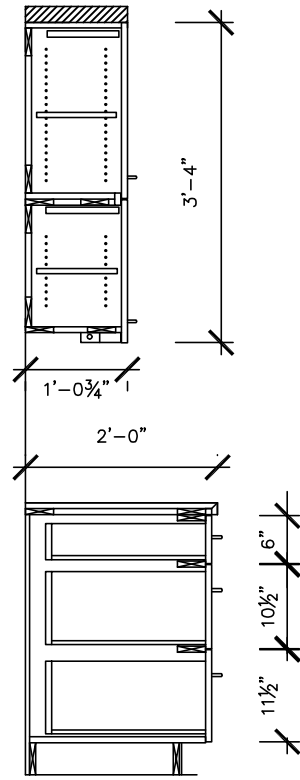
PROJECT:	CALABRESE BUDNER
DESCRIPTION:	BREAKROOM ELEVATION
SCALE:	3/4" = 1'-0"
DATE:	MAY 03, 2018



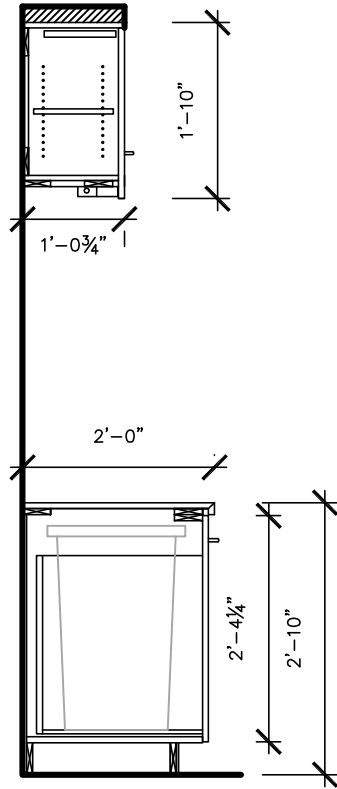
PROJECT:	CALABRESE BUDNER
DESCRIPTION:	CABINET SECTION CUTS
SCALE:	3/4" = 1'-0"
DATE:	MAY 04, 2018



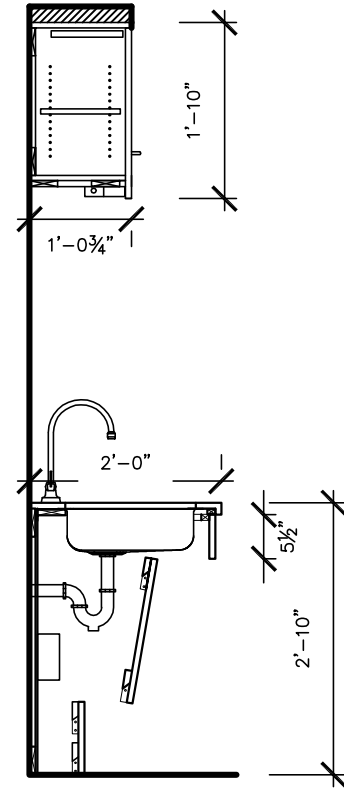
01 Section
Scale:



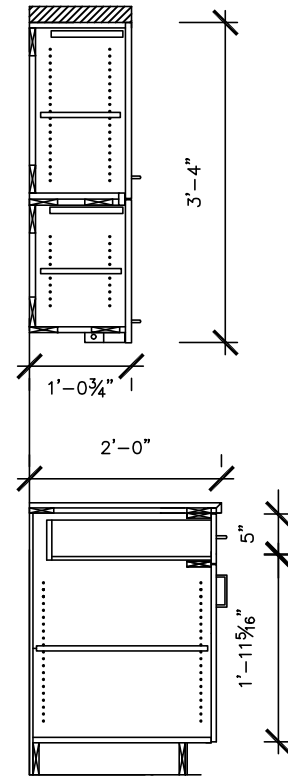
02 Section
Scale:



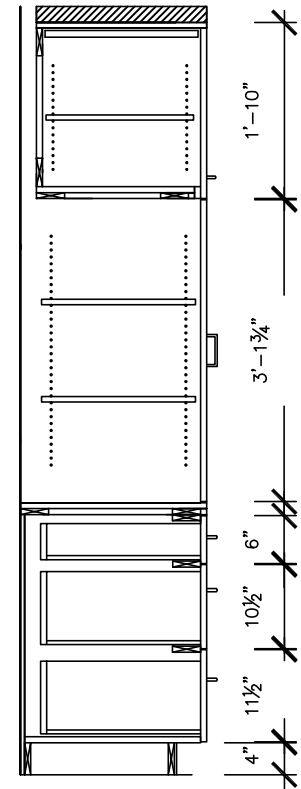
03 Section
Scale:



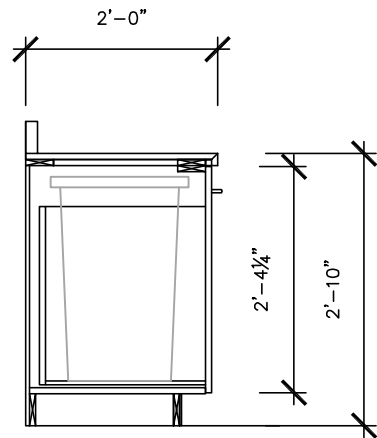
04 Section
Scale:



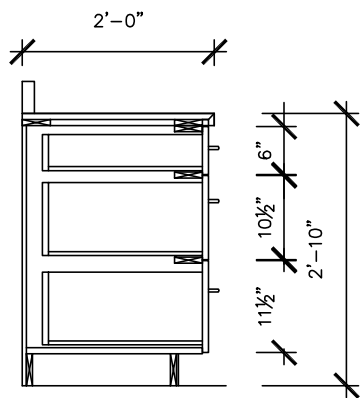
05 Section
Scale:



06 Section
Scale:

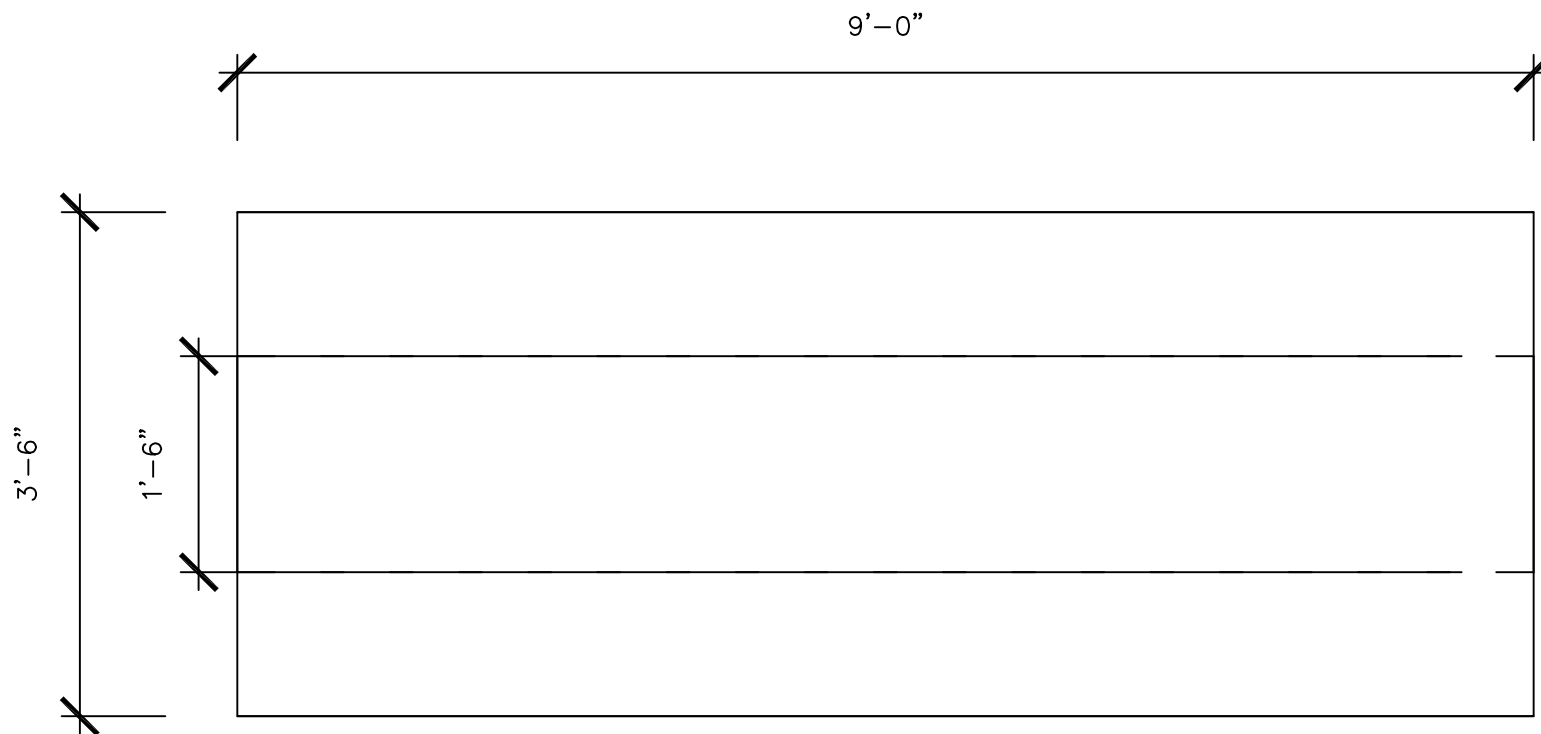


07 Section
Scale:

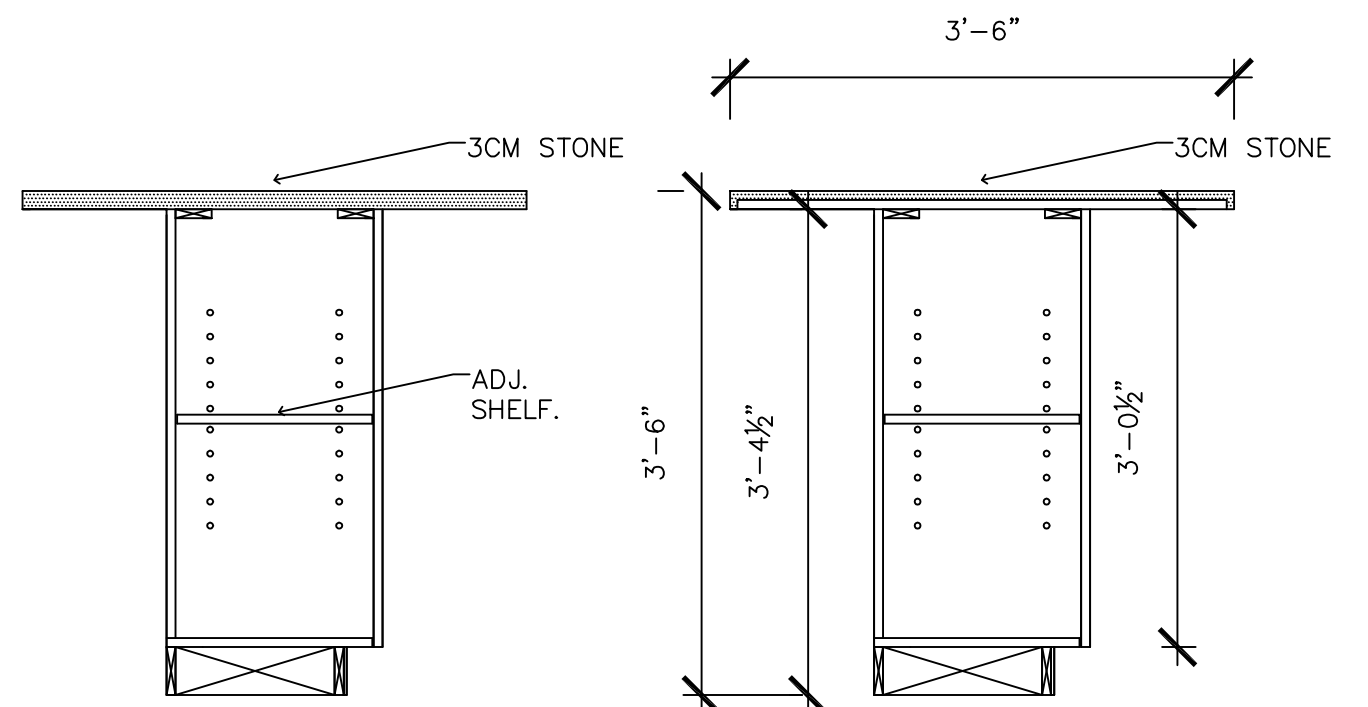


08 Section
Scale:

PROJECT:	CALABRESE BUDNER
DESCRIPTION:	CABINET SECTIONS
SCALE:	1/2" = 1'-0"
DATE:	MAY 04, 2018

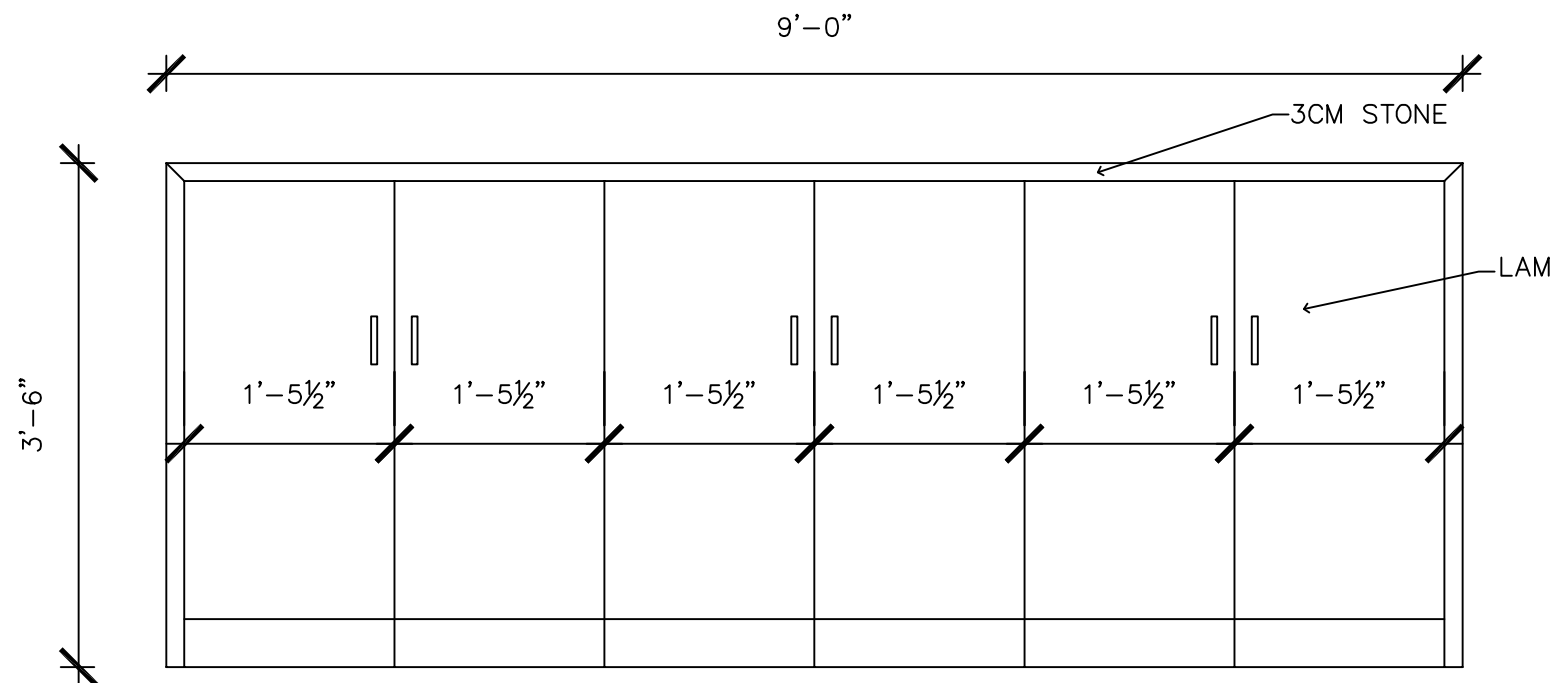


PLAN VIEW

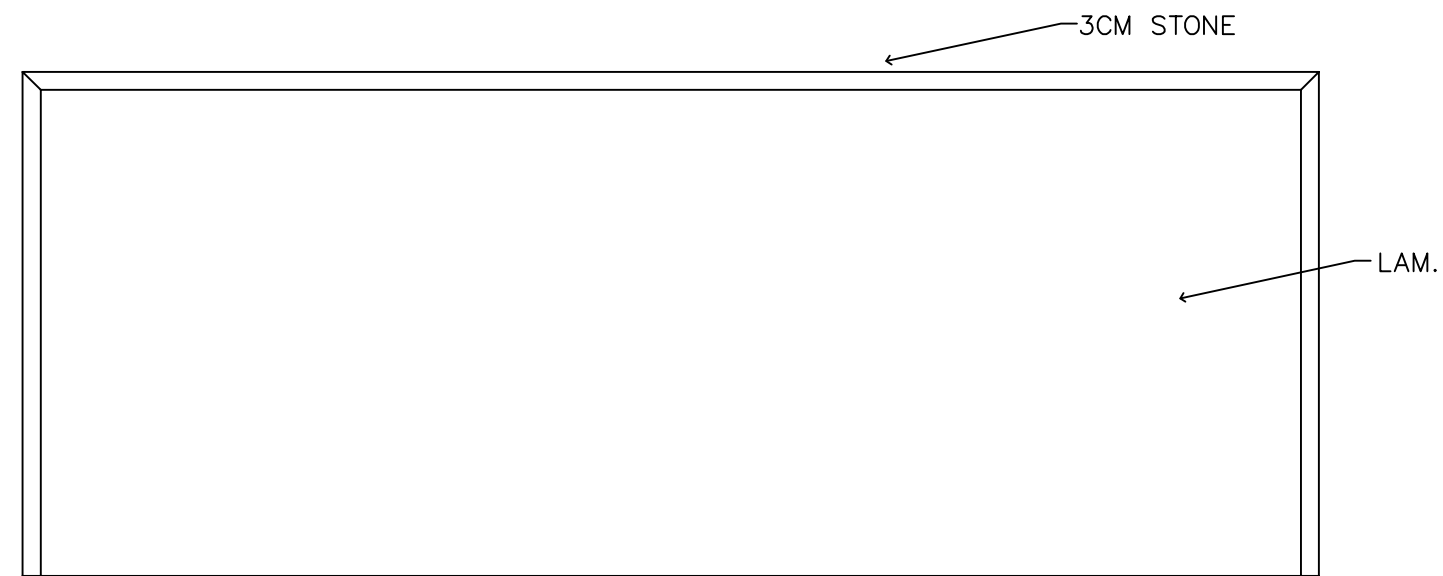


SECTION CUT

SECTION CUT



FACING SINK



FACING CONFERENCE ROOM

PROJECT:	CALABRESE BUDNER
DESCRIPTION:	ISLAND DETAILS
SCALE:	1/2" = 1'-0"
DATE:	MAY 07, 2018